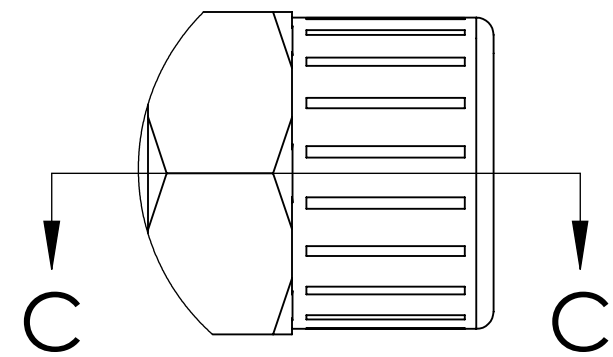
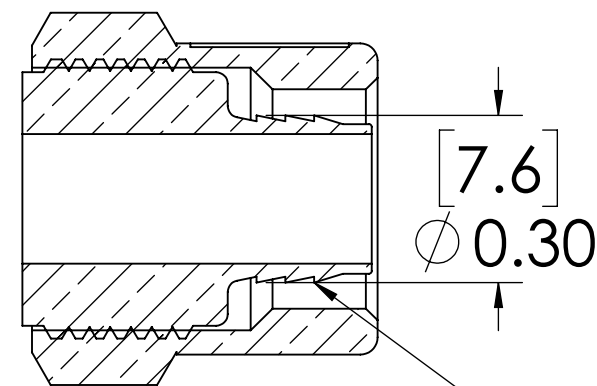


REVISIONS						
SHEET	ZONE	REV.	ECO	DESCRIPTION	DATE	APPROVED
1	ALL	A	50242	PIN, PIN SPRING & 2017 FORMAT UPDATE	10/18/2018	HRC



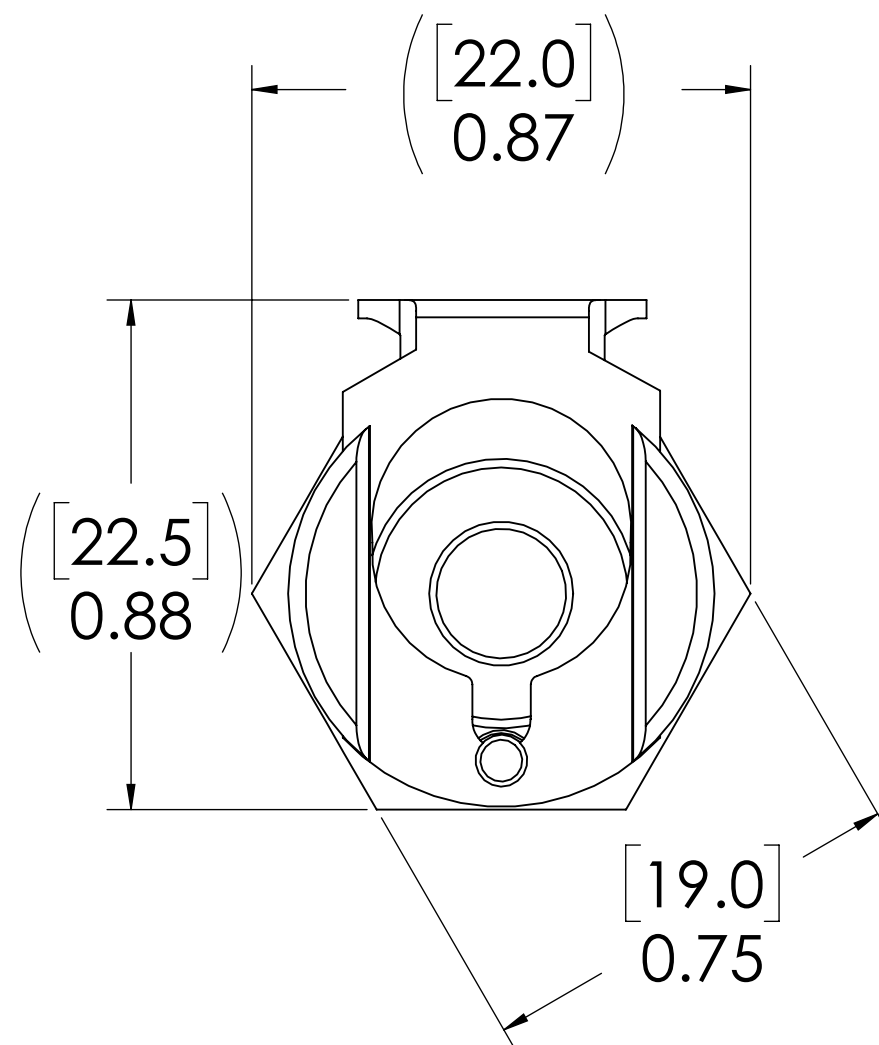
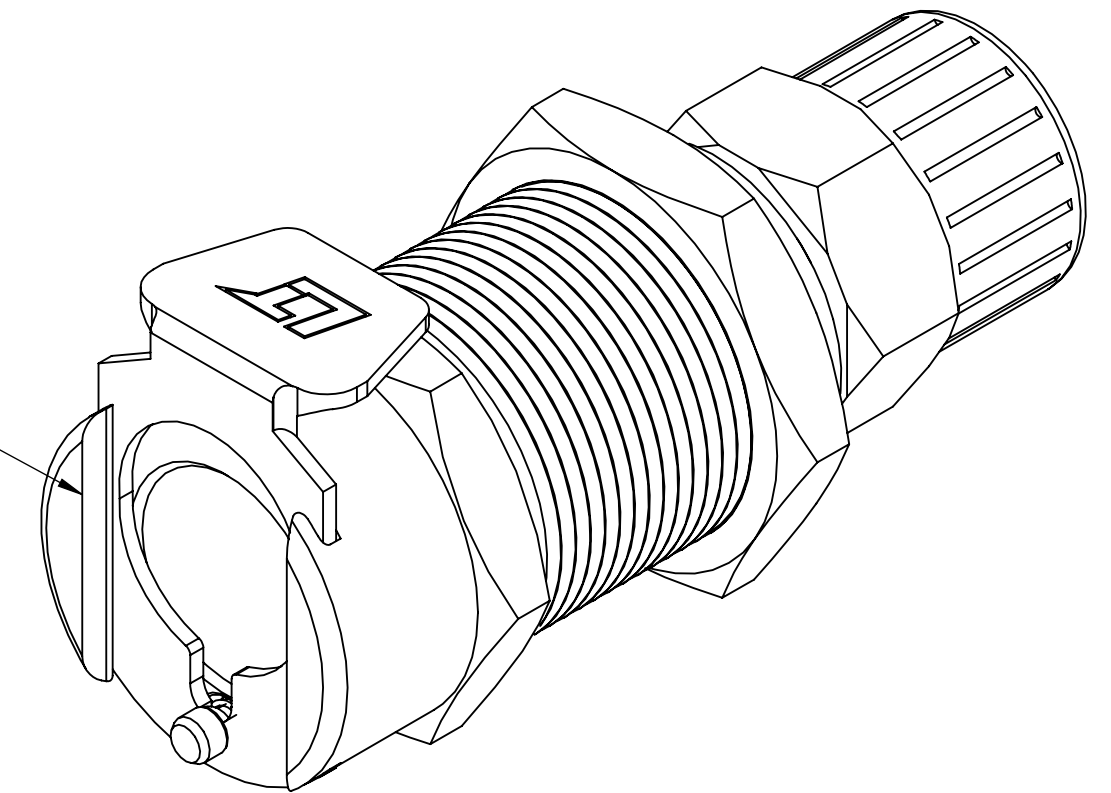
DETAIL B



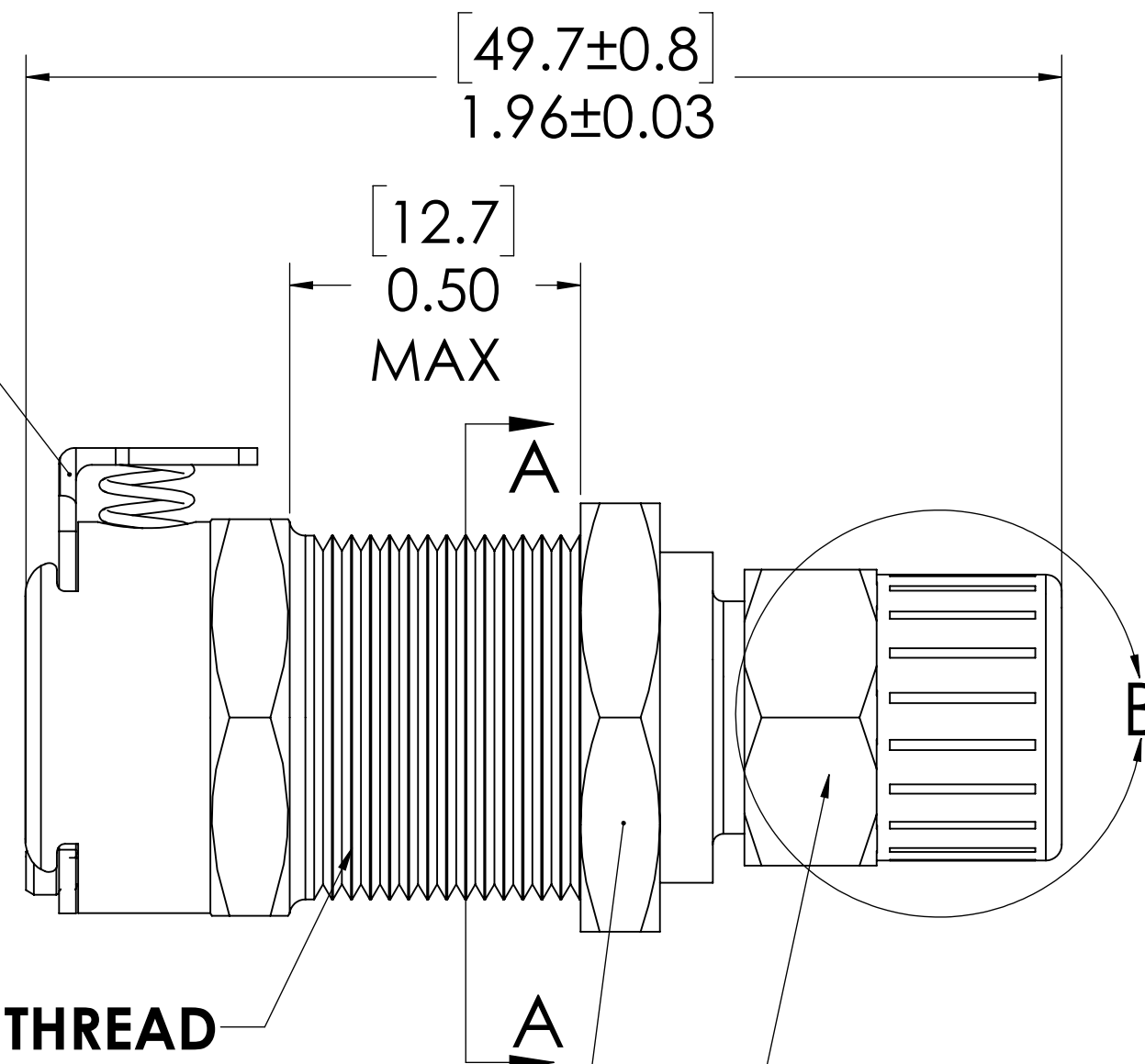
SECTION C-C

3/8" TUBE OD

**SOCKET
(BRASS, NICKEL &
CHROME PLATED)**



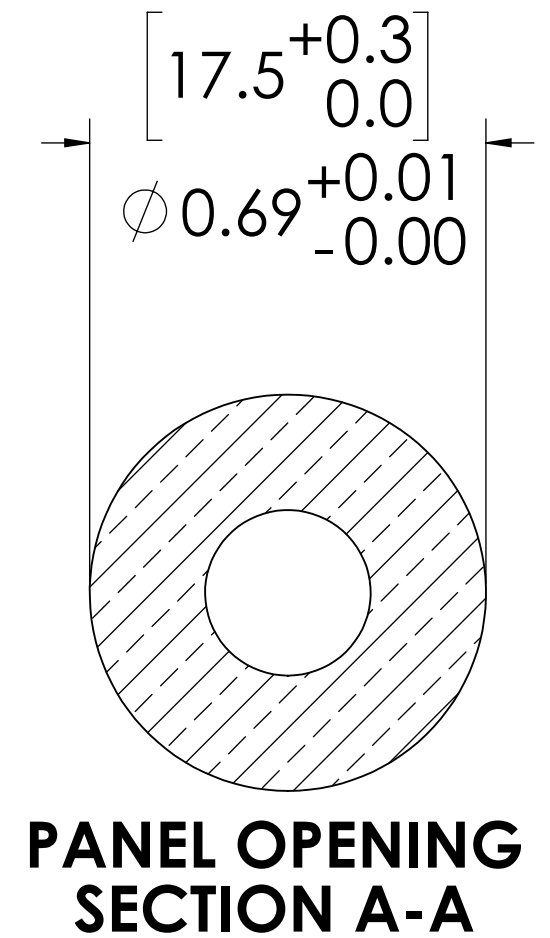
**LATCH
(STAINLESS STEEL)**



11/16" - 24 UNS THREAD

**PANEL NUT
(BRASS, NICKEL PLATED)
(PACKAGE SEPARATELY)**

**PTF NUT
(BRASS, NICKLE PLATED)
(PACKAGED SEPARATELY)**



**PANEL OPENING
SECTION A-A**

- NOTES:**
- MATERIAL: BRASS
 - FINISH: CHROME

FOR REFERENCE ONLY

<small>UNLESS OTHERWISE SPECIFIED: DIMENSIONS ARE IN INCHES TOLERANCES: FRACTIONAL ± 1/32 ANGULAR: MACH ± 0.5 BEND ± 2 ONE PLACE DECIMAL ± 0.1 TWO PLACE DECIMAL ± 0.01 THREE PLACE DECIMAL ± 0.005 TWO PLACE DUAL (mm) [±0.12]</small>	<small>DRAWN</small> LDM 1/17/2018		
	<small>CHECKED</small> HRC 1/17/2018		PART NO: 40CB-S8-06
	<small>ENG APPR.</small> HRC 10/18/18		<small>DESCRIPTION:</small> LinkTech 40CB Series Panel Mt. Female, Non-valved, 3/8" PTF, Chrome Brass
	<small>MFG APPR.</small> BDB 10/18/18		<small>SIZE</small> C <small>DWG. NO.</small> 40CB400050 <small>REV</small> A
<small>PRODUCTION</small> LS 10/18/18	<small>SCALE:</small> NTS <small>WEIGHT:</small> <small>SHEET</small> 1 OF 1	<small>COMMENTS:</small>	
<small>THE INFORMATION CONTAINED IN THIS DRAWING IS THE SOLE PROPERTY OF LINKTECH LLC. ANY REPRODUCTION OR DISCLOSURE IN PART OR AS A WHOLE WITHOUT THE WRITTEN PERMISSION OF LINKTECH LLC IS STRICTLY PROHIBITED.</small>			